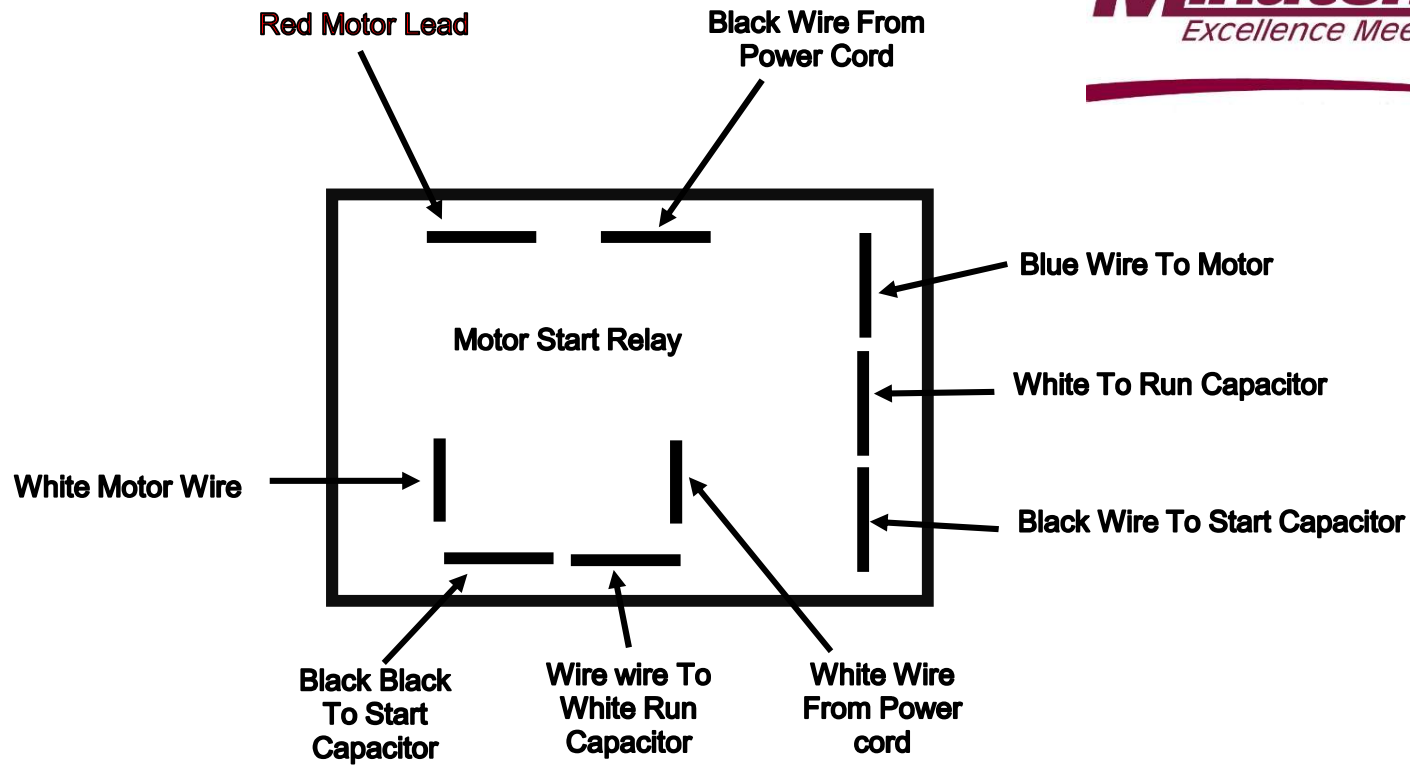
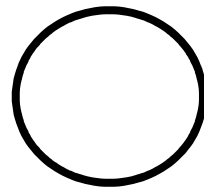


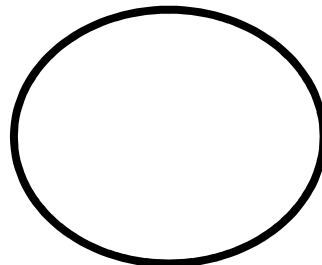
ROS 17 Motor Start Relay



430-516 mfd
125 volt



Start Capacitor



Run Capacitor

160 mfd
50/60 hz
250 volt